

SEAPROP60 SAILBOAT PROPULSION SYSTEM

The SeaProp60 saildrive is a propulsion system for sailboats with engines rated up to 56 kW (75 hp) @ 3600 rpm. Sailboat manufacturers and operators alike benefit from this system's unique but proven design.

With a SeaProp60 saildrive, the sailboat manufacturer will overcome inherent limitations and problems of conventional inboard shaft drive installations with a quicker, more versatile and simplified engine installation process.

Gone is the propeller shaft, along with its attendant coupling, stuffing box, cutless bearing, stern tube, and strut. Also eliminated are the alignment procedures required between the engine and shaft that must be done on the production line.

The SeaProp60 can easily be mounted facing forward or aft. Because it isn't constrained by shaft angle or aperture location, and it offers the builder more versatility in engine placement and a smaller 'footprint' (no shaft, shaft log, or strut aft of the engine).

Boat operation will benefit from increased propulsion efficiency with the SeaProp60 saildrive. Unlike conventional drivelines, thrust is parallel to the boat's waterline, whereas the downward angle on a standard shaft means that some of the propeller's thrust is wasted.

Experienced sailboat owners recognize saildrives are more efficient, quieter, offer much less vibration to the boat and provide all-around smoother running – not to mention the absence of water leaking into the bilge through the stuffing box.

SeaProp60 can be matched with a variety of fixed or foldable propellers.



SAILDRIVE SP60 TECHNICAL DATA

RATIO		INPUT RATINGS - PLEASURE kW (HP)		
Forward	Reverse	2800 rpm	3000 rpm	3600 rpm
2.15	2.15	43 (59)	46 (63)	55 (75)
2.38	2.38	34 (46)	36 (50)	44 (60)

Max Input Speed: 3800 rpm

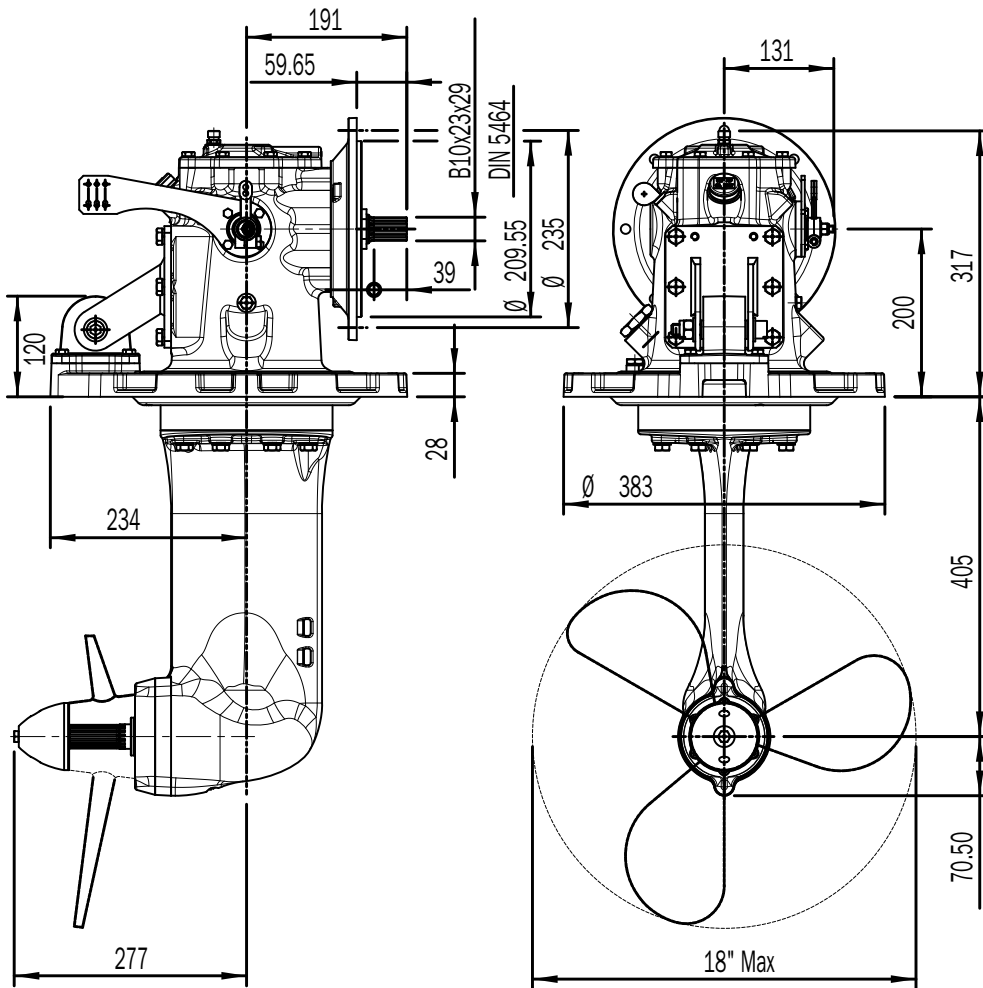
Dry Weight: 43 kg

Oil Quantity: 2.8 liters

Specifications subject to change without prior notice in the interest of continual product improvement.



SEAPROP60 SPECIFICATIONS



Twin Disc, Incorporated
Racine, Wisconsin 53403 USA
Phone +1-262-638-4000
Fax +1-262-638-4482
www.twindisc.com

Twin Disc, Incorporated reminds users of these products that their safe operation depends on use in compliance with engineering information provided in our catalog. Users are also reminded that safe operation depends on proper installation, operation and routine maintenance and inspection under prevailing conditions. It is the responsibility of users (and not Twin Disc, Incorporated) to provide and install guards or safety devices which may be required by recognized safety standards or by the Occupational Safety and Health Act of 1970 and its subsequent provisions.

United States of America • Australia • Belgium • France • Italy • Singapore • Switzerland

SeaProp60_Bulletin
 © 2011, Twin Disc, Incorporated
 Printed in the USA - 1/2011